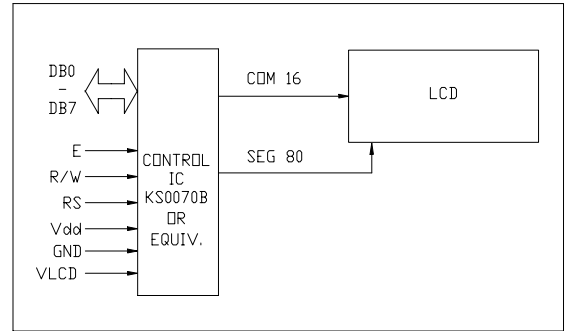


Mechanical Specification

ITEM	STANDARD VALUE	UNIT
Characters	16 x 2 Character	-
Module Dimension	80.0(W) x 36.0(H)x 11.5(T)	mm
Viewing Area	63.6(W) x 15.6(H)	mm
Dot Size	0.54(W) x 0.66(H)	mm
Character Size	2.96(W) x 5.56(H)	mm
Approx. Weight		g
LCD Type	STN	
Driver Method	1/16 Duty , 1/5 Bias	
Viewing Direction	12 O'clock	
Controller IC	KS0070BP-26CC	

Block Diagram



Absolute Maximum Ratings

ITEM	SYMBOL	MIN.	TYP.	MAX.	UNIT
Operating	T _{OP}	-10	-	+60	°C
Storage	T _{ST}	-20	-	+70	°C
Input Voltage	V _I	-0.3	-	V _{DD} +0.3	V
Supply Voltage For	V _{DD} -V _{SS}	-0.3	-	6.0	V
Supply Voltage	V _{DD} -V _S	-0.3	-	7.0	V

Electrical Characteristics

ITEM	SYMBOL	CONDITION	MIN.	TYP.	MAX.	UNIT
Supply Voltage For Logic	V _{DD} -V _{SS}	Ta=25°C	-	5.0	5.5	V
Supply Voltage For LCD	V _{DD} -V _{EE} (V _{OP})		4.0	4.8	6.0	V
Input High Voltage			0.8 V _{DD}	-	V _{DD}	V
Input Low Voltage			0	-	0.2 V _{DD}	V
Output High Voltage			I _{OH} =-0.5mA	0.8 V _{DD}	-	V _{DD}
Output Low Voltage			0	-	0.2 V _{DD}	V

Pin Assignment

PIN#	1	2	3	4	5	6	7	8	9
Symbol	GND	VDD	V5	RS	R/W	E	DB0	DB1	DB2
PIN#	10	11	12	13	14	15	16		
Symbol	DB3	DB4	DB5	DB6	DB7	LED(+)	LED(-)		

