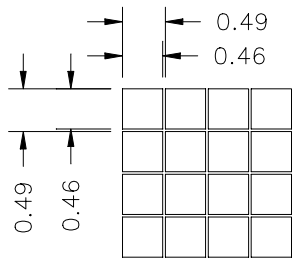
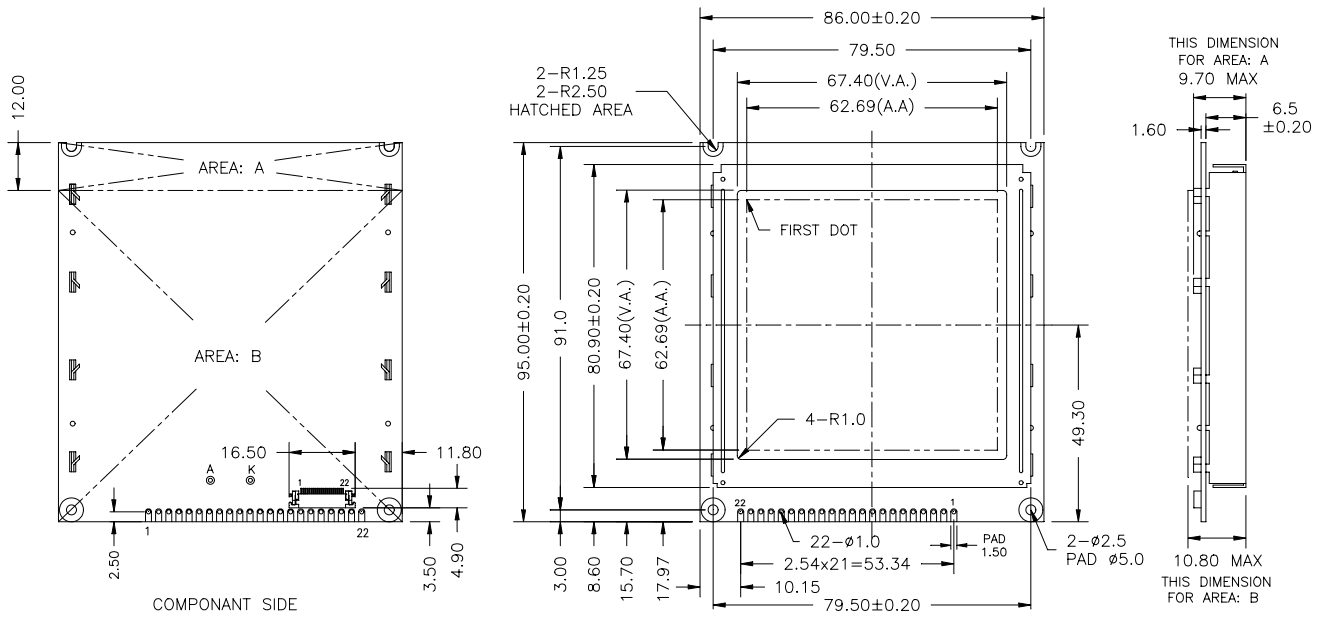
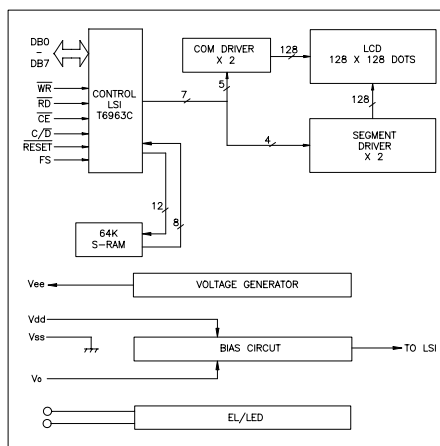


ITEM	STANDARD VALUE	UNIT
Number of dots	128 x 128 Dots	-
Module Dimension	86.0(W) x 95.0(H) x 10.8(T)	mm
Viewing Area	67.4.0(W) x 67.4(H)	mm
Dot Size	0.46(W) x 0.46(H)	mm
Dot Pitch	0.49(W) x 0.49(H)	mm
Approx. Weight		g
LCD Type	STN / FSTN	
Driver Method	1/128 Duty , 1/12 Bias	
Viewing Direction	12 O'clock	
Controller IC	T6963C	

2.2 EXTERNAL DIMENSIONS



128x128 DOTS



	1	2	3	4	5	6	7	8	9	10	11
Symbol	FG	V _{SS}	V _{DD}	V _{EE}	V ₀	/RD	/WR	/CE	C/D	/REST	DB0
PIN#	12	13	14	15	16	17	18	19	20	21	22
Symbol	DB1	DB2	DB3	DB4	DB5	DB6	DB7	FS	NC	LED(-)	LED(+)