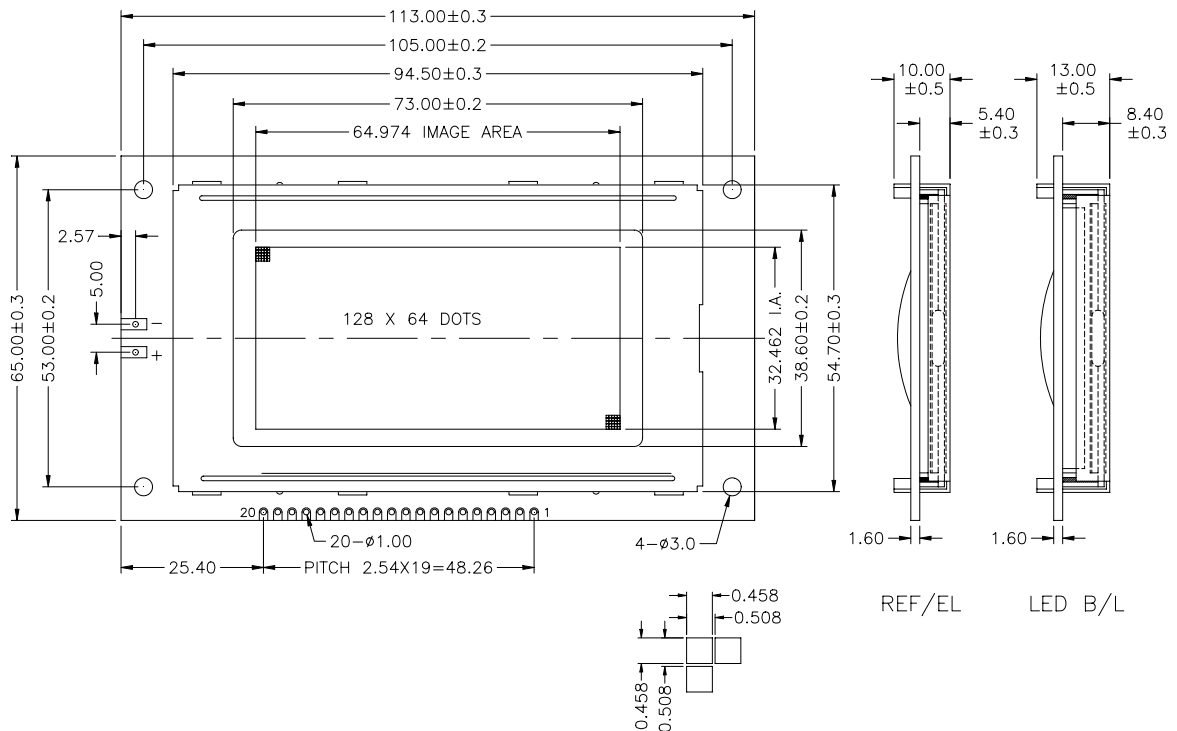


PHYSICAL DATA

| ITEM | STANDARD VALUE | UNIT |
|-------------------|-----------------------------------|------|
| Number of dots | 128 x 64 Dots | - |
| Module Dimension | 113.0(W) x 65.0(H) x 10.0/13.0(T) | mm |
| Viewing Area | 73.0(W) x 38.6(H) | mm |
| Dot Size | 0.458(W) x 0.458(H) | mm |
| Dot Pitch | 0.508(W) x 0.508(H) | mm |
| Approx. Weight | | g |
| LCD Type | STN | |
| Driver Method | 1/64 Duty , 1/9 Bias | |
| Viewing Direction | 6 O'clock | |
| Controller IC | KS0107B&KS0108B | |

EXTERNAL DIMENSIONS



BLOCK DIAGRAM

| | | | | | | | | | | | | | | | | | | | |
|-----|-----|------|------|-----|-----|-----|-----|-----|-----|-----|-----|-----|-----|---|-----|----|----|-----|-----|
| 20 | 19 | 18 | 17 | 16 | 15 | 14 | 13 | 12 | 11 | 10 | 9 | 8 | 7 | 6 | 5 | 4 | 3 | 2 | 1 |
| SLK | SLA | VOUT | /RET | CS2 | CS1 | DB7 | DB6 | DB5 | DB4 | DB3 | DB2 | DB1 | DB0 | E | R/W | RS | VO | VDD | VSS |

