

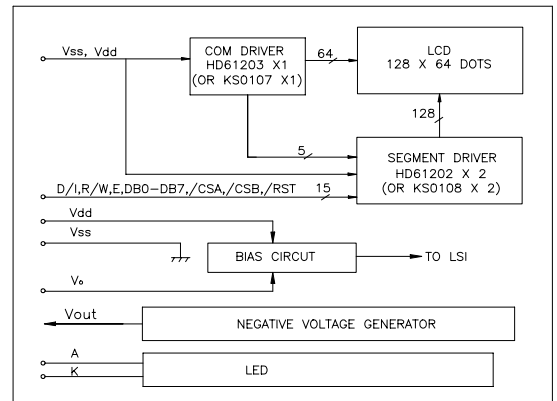
KG12864D

128 x 64 DOTS

Mechanical Specification

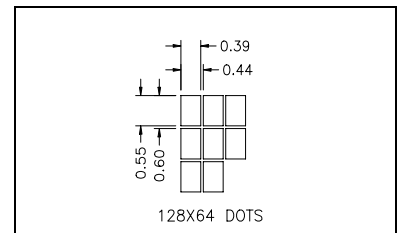
ITEM	STANDARD VALUE	UNIT
Number of dots	128 x 64 Dots	-
Module Dimension	78.0(W) x 70.0(H)x 13.0(T)	mm
Viewing Area	62.0(W) x 44.0(H)	mm
Dot Size	0.39(W) x 0.55(H)	mm
Dot Pitch	0.44(W) x 0.60(H)	mm
Approx. Weight		g
LCD Type	STN	
Driver Method	1/64 Duty , 1/ 9 Bias	
Viewing Direction	6 O'clock	
Controller IC	KS0108	

Block Diagram



Absolute Maximum Ratings

ITEM	SYMBOL	MIN.	TYP.	MAX.	UNIT
Operating Temperature	T_{op}	-25	-	+70	°C
Storage Temperature	T_{ST}	-30	-	+80	°C
Input Voltage	V_I	-0.3	-	$V_{DD}+0.3$	V
Supply Voltage For Logic	$V_{DD}-V_{SS}$	-0.3	-	7.0	V
Supply Voltage LCD	$V_{DD}-V_5$	-0.3	-	15.0	V



Electrical Characteristics

ITEM	SYMBOL	CONDITION	MIN.	TYP.	MAX.	UNIT
Supply Voltage For Logic	$V_{DD}-V_{SS}$	$T_a=25^\circ C$	-	5.0	5.5	V
Supply Voltage For LCD	$V_{DD}-V_{EE} (V_{OP})$		8.0	10.0	15.0	V
Input High Voltage			$0.8 V_{DD}$	-	V_{DD}	V
Input Low Voltage			0	-	$0.2 V_{DD}$	V
Output High Voltage		$I_{OH}=-0.5mA$	$0.8 V_{DD}$	-	V_{DD}	V
Output Low Voltage			0	-	$0.2 V_{DD}$	V
Supply Current For Logic			-	2.5	3.0	mA

Pin Assignment

PIN#	1	2	3	4	5	6	7	8	9	10
Sym	/CSA	/CSB	Vss	VDD	V0	D/I	R/W	E	DB0	DB1
PIN#	11	12	13	14	15	16	17	18	19	20
Sym	DB2	DB3	DB4	DB5	DB6	DB7	/RST	Vout	LED(+)	LED(-)

