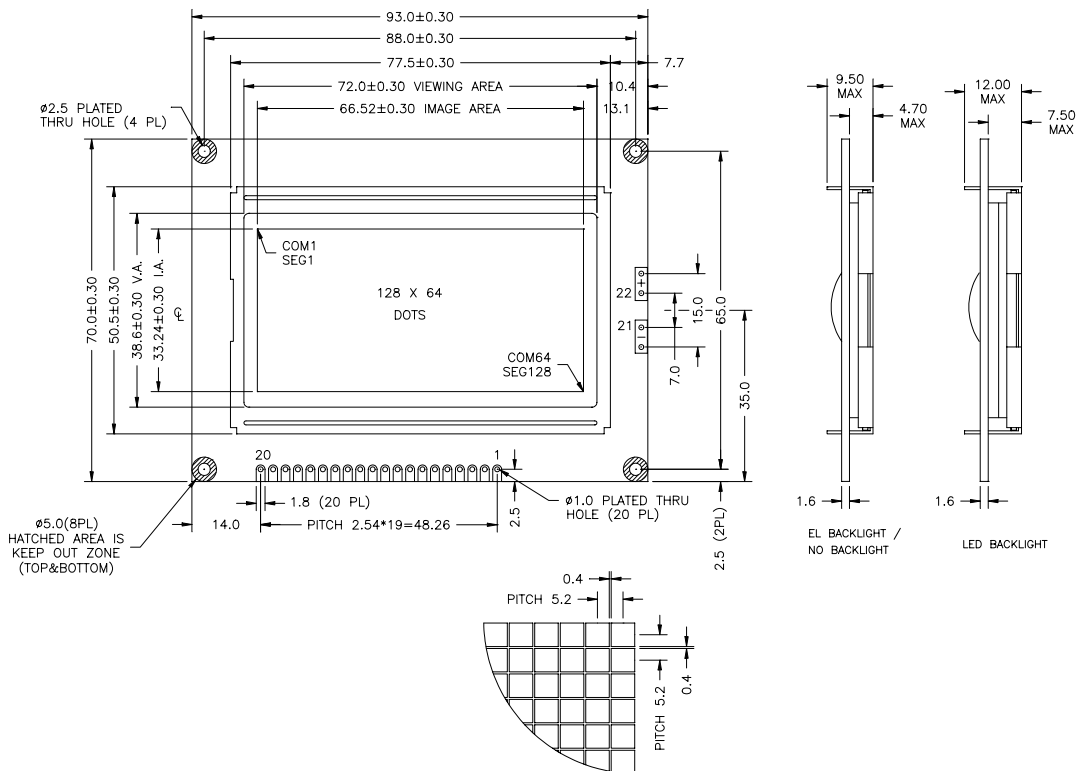


■ PHYSICAL DATA

ITEM	STANDARD VALUE	UNIT
Number of dots	128 x 64 Dots	-
Module Dimension	93.0(W) x 70.0(H) x 9.5/12.0(T)	mm
Viewing Area	72.0(W) x 38.6(H)	mm
Dot Size	0.48(W) x 0.48(H)	mm
Dot Pitch	0.52(W) x 0.52(H)	mm
Approx. Weight		g
LCD Type	STN	
Driver Method	1/64 Duty , 1/9 Bias	
Viewing Direction	6 O'clock	
Controller IC	KS0107B&KS0108B	

■ EXTERNAL DIMENSIONS



20	19	18	17	16	15	14	13	12	11	10	9	8	7	6	5	4	3	2	1
SLK	SLA	VOUT	RSTB	CS2	CS1	DB7	DB6	DB5	DB4	DB3	DB2	DB1	DB0	E	R/W	RS	VO	VDD	VSS

