

KG24064A

240 x 64 DOTS

ITEM	STANDARD VALUE	UNIT
Number of dots	240 x 64 Dots	-
Module Dimension	180.0(W) x 65.0(H) x 10.5/14.0(T)	mm
Viewing Area	132.0(W) x 39.0(H)	mm
Dot Size	0.48(W) x 0.48(H)	mm
Dot Pitch	0.53(W) x 0.53(H)	mm
Approx. Weight		g
LCD Type	STN	
Driver Method	1/64 Duty , 1/9 Bias	
Viewing Direction	6 O'clock	
Controller IC	T6963C	

**EXTERNAL DIMENSIONS**

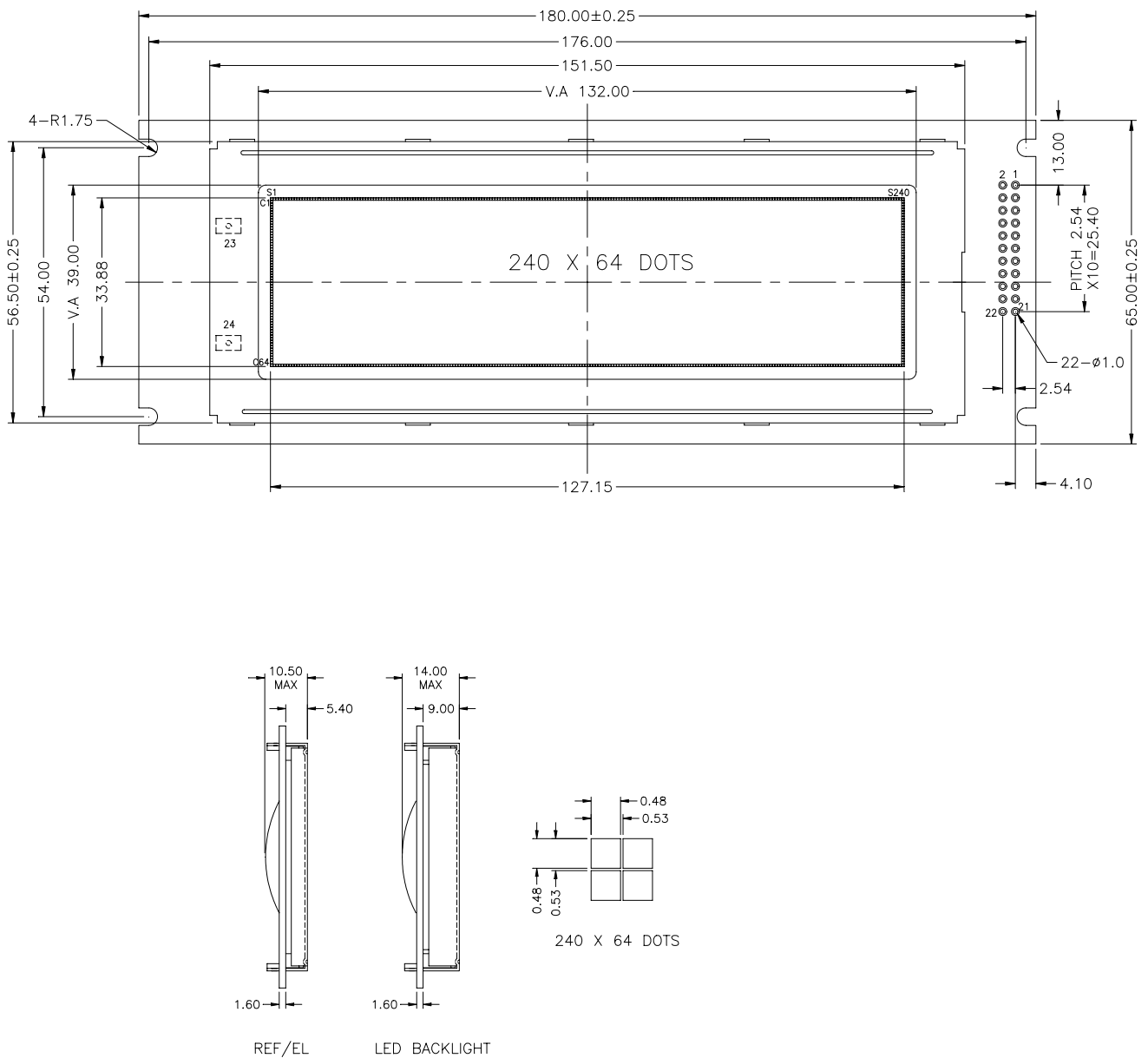


Fig.1 Mechanical Diagram

# KG24064A

# 240 x 64 DOTS

PIN#	1	2	3	4	5	6	7	8	9	10	11
Symbol	FG	VSS	VDD	VEE	/WR	/RD	/CE	C/D	NC	/RESTE	DB0
PIN#	12	13	14	15	16	17	18	19	20	21	22
Symbol	DB1	DB2	DB3	DB4	DB5	DB6	DB7	FS	NC	LED(+)	LED(-)

